

# EcoPump VP Package

## Airless and AirAssisted Gun paint supply

N92110001V

### Description

The **EcoPump** VP Package is an air driven high-pressure device for large and medium amounts of paint. Various configurations make this equipments useable for many kinds of painting materials like stains, enamels, epoxy coatings etc. The options for material feeding allow the use of original paint

packages like cans or barrels of different sizes (from 5l to 200 l) or to use a 6 liter hopper which is mounted of the supply itself. Three mounting types are available: trolley, stand or wall mounted. The package is compatible with manual or automatic airless and air assisted guns.



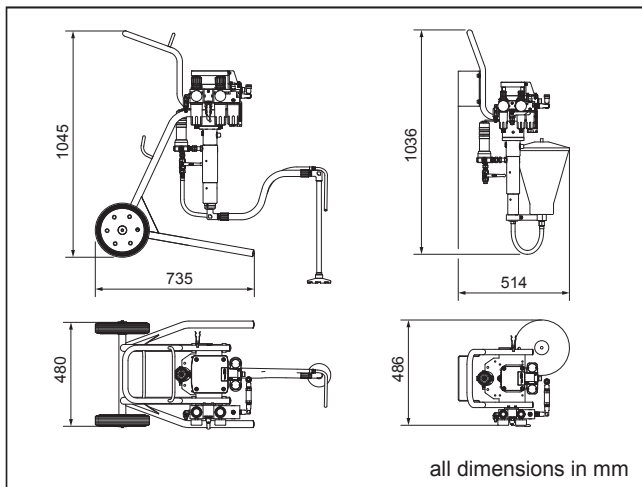
### Customer Benefits

- » Five pump types available
- » Balanced pressure variations
- » Tip cleaning kit (optional part of air inlet)
- » Material supplying parts in stainless steel
- » Suitable for airless and air assisted applications
- » Modular design
- » Modular design allows to make a configuration to customer specific needs
- » Wide range of accessories available
- » ATEX Ex II 2G IIA T5

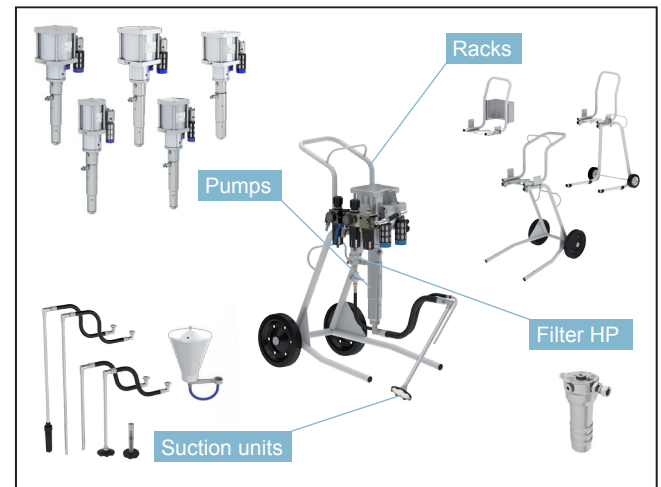


# EcoPump VP Package N92110001V

## Dimensions



## Technical Illustration



## Specification

Weight	16-45 kg (35-99 lbs)
Connection Outlet	M16x1,5 60°
Connection Air Inlet	G3/8" bzw. G1/2"
Volume/Cycle	55/90/110 ccm/DH
Flow Rate at 30 cycles/min	1,7-3,3 l/min (0,26-0,87 gal/min)
Flow Rate at 50 cycles/min	2,8-5,5 l/min (0,74-1,45 gal/min)
Air pressure max.	7-8 bar (116-133 psi)
Material pressure max.	200-445 bar (2.900-6.454 psi)
Operating Temperature min.	10°C (50°F)
Operating Temperature max.	50°C (122°F)
Material Temperature max.	50°C (122°F)
Noise Level	<80,0 dB(A)
Transmission Ratio	25:1 - 64:1
ATEX-Marking	Ex II 2G IIA T5

Final weight depends on configuration. Piston pumps options: N24170009: EcoPump VP 110 225 DE, N24170022: EcoPump VP 110 225 UF DE, N24170020: EcoPump VP 445 UE DE, N24170019: EcoPump VP 445 UF DE, N24170005: EcoPump VP 55 200 DE, N24170016: EcoPump VP 55 200 UE DE, N24170015: EcoPump VP 55 200 UF DE, N24170006: EcoPump VP 55 310 DE, N24170018: EcoPump VP 55 310 UE DE, N24170017: EcoPump VP 55 310 UF DE, N24170007: EcoPump VP 55 445 DE, N24170008: EcoPump VP 90 280 DE, N24170021: EcoPump VP 90 280 UF DE.  
For more pump details, see manual or separate datasheet of the appropriate pump!

# EcoPump VP Package

## N92110001V

### Accessories

Part No.	Description
N36200008V	EcoGun AL MAN 300
N36220001V	EcoGun AA MAN 1P (256)
N36220002V	EcoGun AA MAN 2P (2100)
W12010008	Hook Key
M55100169	Adapter M16x1,5 to 1/4" NPT
W40070078	HOSE COVER L8m BLACK

Part No.	Description
W40130201	AIR-HOSE DN6 L8000 2x1/4" BLUE PU
W40130208	HP-HOSE DN6 L7500 2xM16x1,5 PA1,4 PU
W40130209	HP-HOSE DN6 L7500 2xM16x1,5 PA2,4 PU
W40130207	HP-HOSE DN6 L7500 2xM16x1,5 KX2,4 PU
W40650001V	Air & Paint Hoses

### Spare Parts

Part No.	Description
E04030006	Earthing line complete w. clip
M13010014	Filter insert 0,1V
M13010018	Filter insert 0,14V
M13010019	Filter insert 0,2V
M13010020	Filter insert 0,25V
M13010021	Filter insert 0,28V
M13010022	Filter insert 0,315V
M13010023	Filter insert 1,0V
M13020061	Strainer 30msh 500µm 500bar SST
M13020062	Strainer 60msh 250µm 500bar SST
M13020063	Strainer 100msh 149µm 500bar SST
M13020064	Strainer 200msh 74µm 500bar SST
M13020073	Strainer 150msh/105µm 500bar SST
M34010512	Tube
M34010513	Tube 0,5m with filter
M34010514	Tube
M34010515	Tube 0,5m
M34010516	Tube 0,95m with filter
M34010517	Tube 0,95m
M34080011	Rinsing tube Nozzle clean. EcoPump PCG
M35010257	Ring 14x18x1,5 DIN 7603 A Al
M38060015	Container f.oiler
M54300607	Ball valve pressure release module OMK
M54300608	Ball valve sequence piece DOK
M55070363	Screw-in fitting WJ
M55270018	L screw-in fitting 90°
M66020020	Circlip hole d97 s3
N08010038	Feed cup 6L
N24170009	EcoPump VP 110 225 DE
N24170022	EcoPump VP 110 225 UF DE
N24170020	EcoPump VP 445 UE DE
N24170019	EcoPump VP 445 UF DE

Part No.	Description
N24170005	EcoPump VP 55 200 DE
N24170016	EcoPump VP 55 200 UE DE
N24170015	EcoPump VP 55 200 UF DE
N24170006	EcoPump VP 55 310 DE
N24170018	EcoPump VP 55 310 UE DE
N24170017	EcoPump VP 55 310 UF DE
N24170007	EcoPump VP 55 445 DE
N24170008	EcoPump VP 90 280 DE
N24170021	EcoPump VP 90 280 UF DE
N25010140	Frame console S compl.
N25090024	Transport carriage Vario
N25090025	Transport carriage Stand mobile
N35070157	Maintenance unit 1/4" 0-8bar airless
N35070160	Maintenance unit 1/4" 0-8bar airmix
N35430015	High pressure filter 500µm 500bar M16/16
N35430019	High pressure filter 250µm 500bar M16/16
N35430023	High pressure filter 149µm 500bar M16/16
N35430027	High pressure filter 74µm 500bar M16/16
N35430031	High pressure filter 105µm 500bar M16/16
W07010345	Pressure gauge 0-4bar (3bar) D50 G1/8"
W07010346	Pressure gauge 0-10bar (7bar) D50 G1/8"
W07010347	Pressure gauge 0-10bar (8bar) D50 G1/8"
W40130190	Hose 1,5m
W40130191	Hose 0,85m
W40130192	Hose recirculation VH
W40130193	Hose recirculation S - VHS
W40130194	Hose recirculation L - VHL

# EcoPump VP Package

## N92110001V

### Order code

Name													
Option	Order code									Order code	Option		
<b>Pump</b>													
EcoPump VP 55 200 DE	VP1									J	Yes		
EcoPump VP 55 310 DE	VP2									N	No		
EcoPump VP 55 445 DE	VP3												
EcoPump VP 90 280 DE	VP4									H85	Hose 0.85 m		
EcoPump VP 110 225 DE	VP5									H15	Hose 1.5 m		
EcoPump VP 55 200 UF DE	VP6									N	None Ohne		
EcoPump VP 55 200 UE DE	VP7												
EcoPump VP 55 310 UF DE	VP8									C74	Cartridge 74 µm		
EcoPump VP 55 310 UE DE	VP9									C105	Cartridge 105 µm		
EcoPump VP 445 UF DE	VP10									C149	Cartridge 149 µm		
EcoPump VP 445 UE DE	VP11									C250	Cartridge 250 µm		
EcoPump VP 90 280 UF DE	VP12									C500	Cartridge 500 µm		
EcoPump VP 110 225 UF DE	VP13									D100	Filter Disc 100 µm		
<b>Application</b>													
Airless	AL									D140	Filter Disc 140 µm		
Air-Assisted	AA									D200	Filter Disc 200 µm		
<b>Racks</b>													
Transport carriage	TW									D250	Filter Disc 250 µm		
Mobile stand	MS									D280	Filter Disc 280 µm		
Wall-mount	WH									D315	Filter Disc 315 µm		
<b>Filter Pump Outlet</b>													
74 µm/ 500 bar	F74									D1K	Filter Disc 1000 µm		
105 µm/ 500 bar	F105									N	None Ohne Filter		
149 µm/ 500 bar	F149												
250 µm/ 500 bar	F250												
500 µm/ 500 bar	F500												
Without filter	N												
<b>Nozzle cleaning</b>													
<b>Suction Hose Length</b>													
<b>Suction Filter</b>													
<b>Suction Module</b>													
										DS	Direct Suction		
										S05	Flexible Suction 0.5 m		
										S10	Flexible Suction 0.95 m		
										F5L	Hopper 6 l		